

PISKO ROOF WALKWAY FOR TILE ROOF

The roof walkways are used as extensions of the wall ladders and roof ladders in order to create safe access routes to maintenance targets on the roofs, such as the chimney. The access width of the walkway is 350 mm.

Pisko roof walkway can be installed on roofs with a roof slope of 9-45 degrees.



INSTALLATION

The roof fastener for the walkway is a combination of LE TK AP bracket and inclination adjustment plate. Install the inclination adjustment plate to the bracket with 2 pcs of M8x16 hexagonal bolts and M8 hexagonal nut.

The most common roof inclinations and corresponding hole placements are demonstrated in figure 1. The roof walkway should be in horizontal position after final installation. The walkway shall be fixed to each inclination adjustment plate by using 2 pcs of M8x16 hexagonal bolts and M8 hexagonal nuts.

Attach the fasteners to the auxiliary batten with two 7x40 mm HVAC-screws.

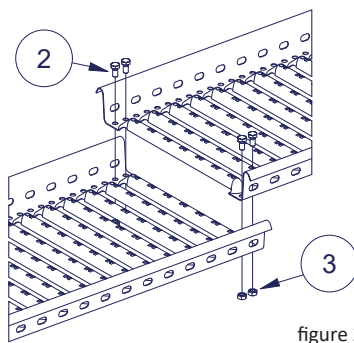
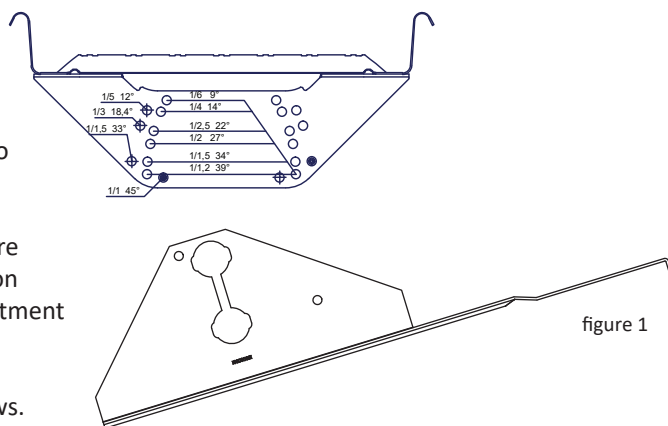
A 100 mm wide full-edged auxiliary batten is installed between the battens. The minimum thickness of the auxiliary batten is 32 mm. The auxiliary batten is fixed to each roof truss with two 6x120 mm screws. If the thickness of the auxiliary batten is less than 48 mm, a DIN 440 M8/9 washer is used with the 6x120 mm screws. The auxiliary batten shall be mounted on at least three roof trusses.

The extension of the walkways shall be done by overlapping and securing the connection from both sides by using 2 pcs of M8x16 hexagonal bolts and M8 hexagonal nuts (figure 2).

At least use 3 fasteners shall be used per continuous length.

Max. distance between the fasteners is 1200 mm.

Max. protrusion of the walkway from the outermost fastener is 200 mm.



Part	Description
1	LE TK AP
2	M8x16 Hexagon bolt DIN 933, HDG
3	M8 Hexagon nut DIN 934, HDG
4	Inclination adjustment plate
5	Pisko roof walkway
6	HVAC-screw 7x40 mm

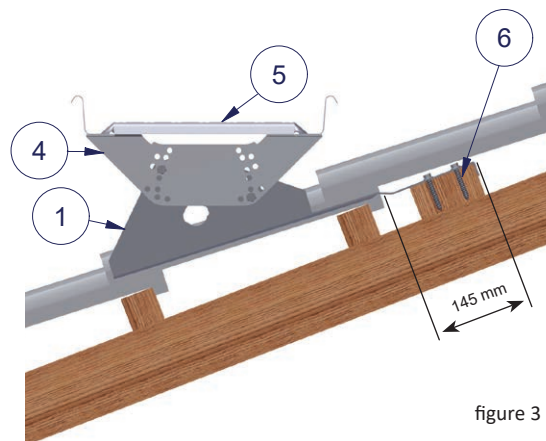


figure 3

USE

A roof walkway must be used when the roof inclination is more than 1:8. If the height of the building is more than 9 meters, safety rope fixing structures must be provided (Finnish Ministry of the Environment, Decree on the safe use of buildings on January 1, 2018). The EN 516 standard gives two performance classes for roof walkways: class 1 and class 2. Class 1 means that the product is suitable for use as access way and class 2 means that the product can also be used as a safety rope anchoring point. Personal fall arresters may only be attached to class 2 roof walkways. Pisko roof walkway has been dimensioned against 1,5 kN (~150 kg) concentrated load (load from the user).

The Pisko roof walkway is manufactured in compliance with EN 516 and the roof walkway system has passed the static and dynamic tests specified in the relevant standard for class 2. An appropriate safety rope can be fixed to a roof walkway, which is installed in accordance with class 2. The safety rope must be intended to be used as a personal safety rope and it must conform to relevant standards such as e.g. EN 353-2 and should be equipped with a shock absorber (EN 355). A Pisko SafeLine wire system's glider, a horizontal carriage that moves along the Pisko safety rail or, alternatively, a rope fastener is used as a safety rope attachment point with Pisko roof walkways (see the separate installation instructions for these products). Moreover, the following must be taken into consideration when using a safety rope:

- Only safety ropes (e.g. EN 353-2) or retractable lanyards (EN 360) that are meant to be used as a personal fall protection equipment should be used
- Only one person at a time, with a total weight of max. 150 kg, including the equipment, is allowed to fix a safety rope to a safety rope anchoring point.
- The distance between attachment points must be at least four (4) meters if more than one user is attached to the same roof walkway or horizontal safety rail.
- More than one person can be attached simultaneously to the Pisko SafeLine that is installed on a roof walkway, provided that there is at least two wire holder brackets in between the users. More information on Pisko SafeLine installation instructions.
- The safety rope may only be used towards the eave on the pitched roof area where the roof walkway is installed.

MAINTENANCE

Pisko products are hard-wearing and safe to use, guaranteed by the ongoing quality control and development work by Piristeel Ltd, as well as correct installation of the products according to the manufacturer's instructions. To ensure the reliability and safety of the products, the property owner must carry out yearly inspection and maintenance procedures, and monitor that the snow load specified by the regulations is not exceeded. NOTE! Roof walkway installed as access way is not intended to be used as snow guards. Heavy snow loads can permanently damage the walkway and its fastening system. If necessary, the roof walkway should be protected from snow loads with snow guards and snow loads should be removed from the roof walkway in good time.

To ensure the durability of the performance of the products, the property owner should have the class 2 roof safety products inspected annually by a person authorised by the manufacturer.

Yearly maintenance inspection checklist for Pisko roof walkways:

- Check the tightness of joints, connections and attachments.
- Check the roof attachments (fixings).
- Ensure any excessive snow load is cleared to minimize the strain on structures and attachment points (as necessary; there might be a need several times during the winter).
- As necessary, clear the roof walkways of snow and ice.
- Check the paintwork and zinc coating of the products; repair faults and touch up paintwork if necessary
- Replace or repair any damaged or faulty parts as soon as possible.

Piristeel Oy Metallitie 4, 62200 Kauhava Finland 13
EN 516 Pisko roof walkway for a tile roof, 1317 Type B Mechanical strength: Class 1 and Class 2 Reaction to fire: Class A1 Durability: Z275 + powder coating 80 µm External fire performance: DTS

This product has been installed in accordance with the installation instructions by

Company

Installer

Date